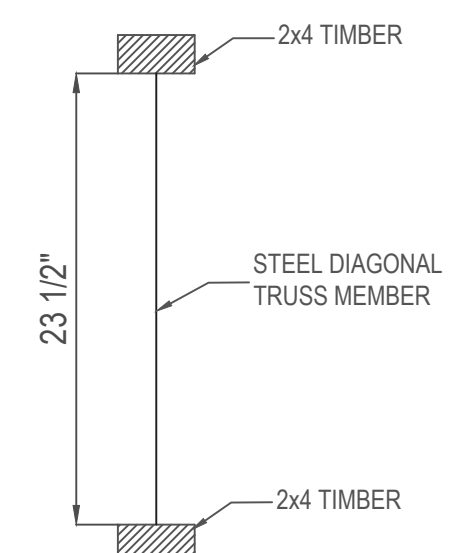
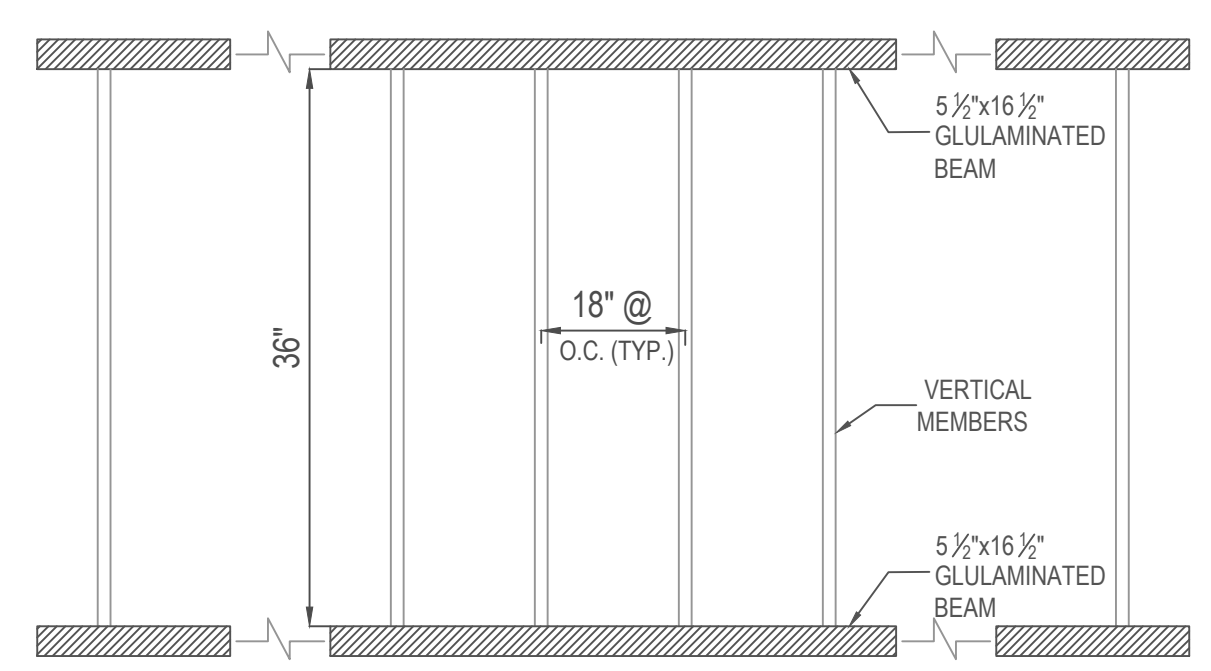


**LEGEND**

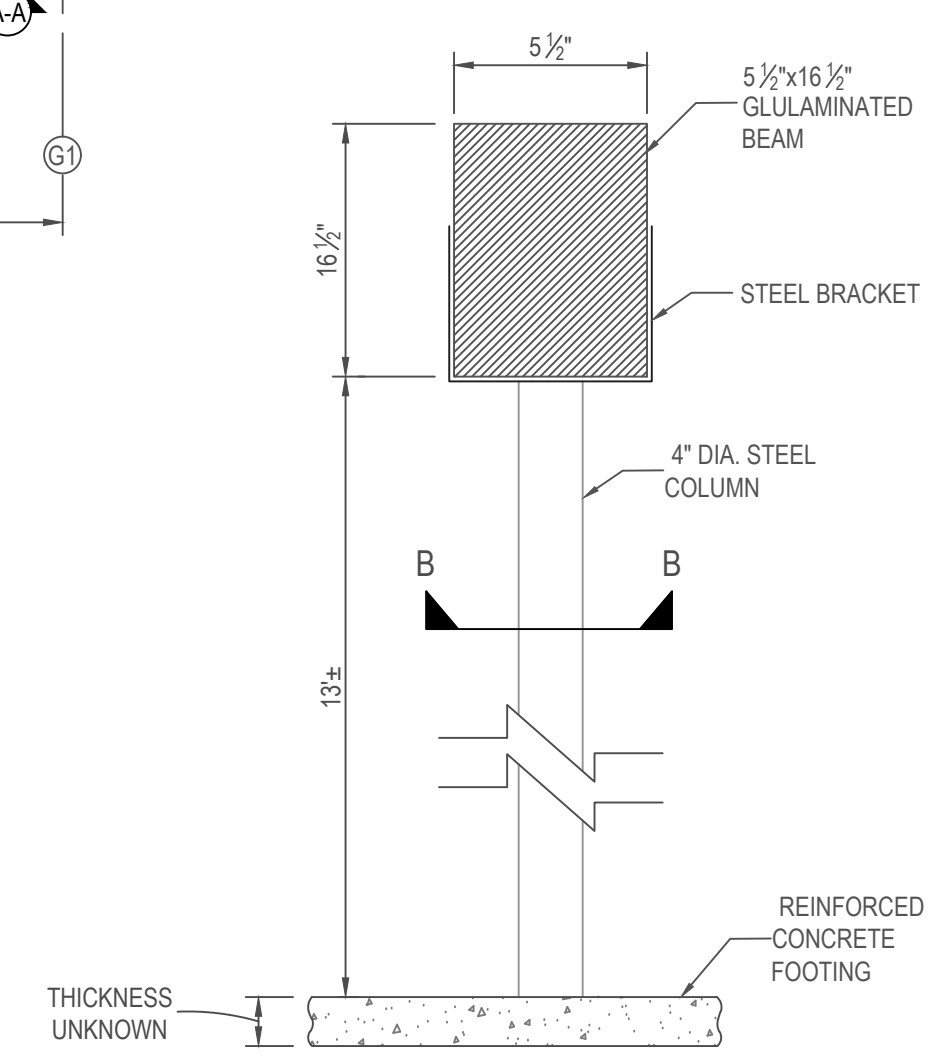
- ⊕ INNER COLUMN
- ⊕ OUTER COLUMN
- VERTICAL MEMBER



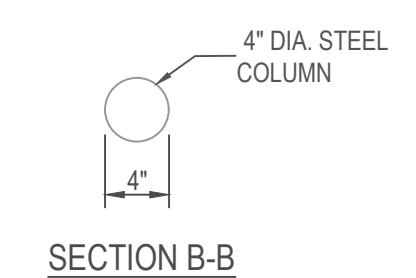
RED-L TRUSS DETAIL  
NTS



SECTION A-A  
NTS

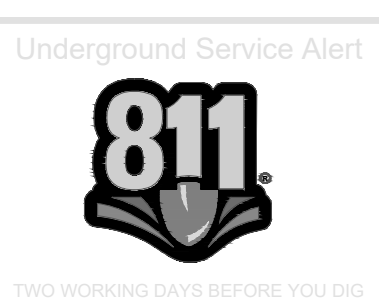


COLUMN DETAIL  
NTS



SECTION B-B

**NOTE:**  
ENGINEERING RESOURCES OF SOUTHERN CALIFORNIA, INC. SHALL NOT BE RESPONSIBLE FOR STRUCTURAL ADEQUACY OF ALL EXISTING MEMBERS.



Revision	No.	By	Date	Approval

APPROVED		RCE		Date
Designed	RT	Checked	MA	Scale:
Drawn	JG	Job No.	96019.025	1" = 10'



1861 West Redlands Blvd  
Building 7-3  
Redlands, California 92374-3013  
(909) 899-1503

**SOBOBA BAND OF LUISEÑO INDIANS**

607 DONNA WAY  
OLD MEDICAL BUILDING  
EXISTING ROOF STRUCTURAL PLAN

SHEET  
1 OF 1  
SHEETS  
DWG. NO.